

# TECHNICAL DATA SHEET

## ORTA Basin Taps

### Product Specification

Product Code:	OR ½ C
Finish:	Chrome
Product Type:	Contemporary
Construction:	Body is of brass construction and is designed to conform to BS EN 200
Valve Type:	¼ turn ½" ceramic disc valves
Supply:	Suitable for all plumbing systems
Inlet Connections:	½" BSP threaded tail
Working Pressures:	Min 0.2bar, Max 10.0bar
Dimensions for Fitting:	120 (H) mm, 50 (W) mm, 82 (D) mm

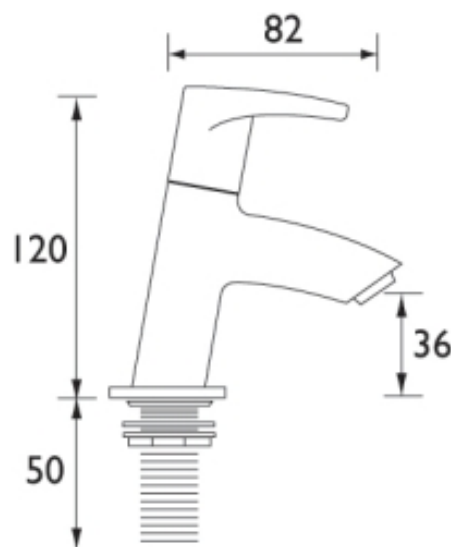


### Additional Information

- Supplied with metal handles
- Supplied with metal back nuts
- Chrome plated to BS EN 248

### Compliance/Approvals

WRAS Approval No: 1107100

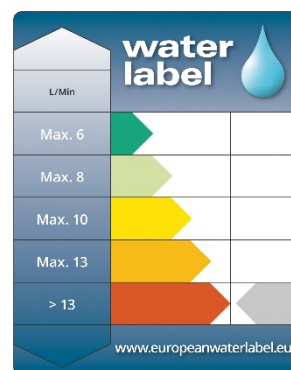


### Flow Rates (litres per minute)

System Pressure	0.2bar	0.5bar	1bar	2bar	3bar	5bar
Without Flow Regulators Fitted	9.11	14.41	20.38	28.82	35.3	45.57

**Technical Advice:** For further information please call 0844 7016273 or email [customer@bristan.com](mailto:customer@bristan.com)

**Guarantee:** 5 years covering manufacturing faults.



Bristan, Birch Coppice Business Park, Dordon, Tamworth, B78 1SG  
Telephone: 0844 701 6274 Facsimile: 0844 701 6275  
Web Site: [www.bristan.com](http://www.bristan.com) Email: [enquire@bristan.com](mailto:enquire@bristan.com)

